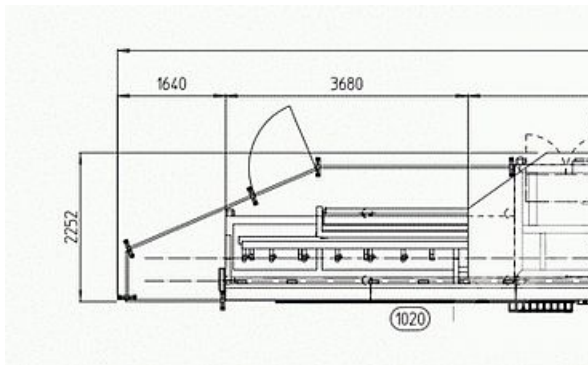


## SPECIFICATIONS

### EQUIPMENT & DESCRIPTION:

BSV-45ANK, year 2001



## CONTACT ME

You can contact me if you have questions or need more information to this machine.

Johann Stöger  
Phone: +43 7477-405-5061  
Mobile: +43-664- 8477900  
E-mail:  
[preowned@lisec.com](mailto:preowned@lisec.com)

