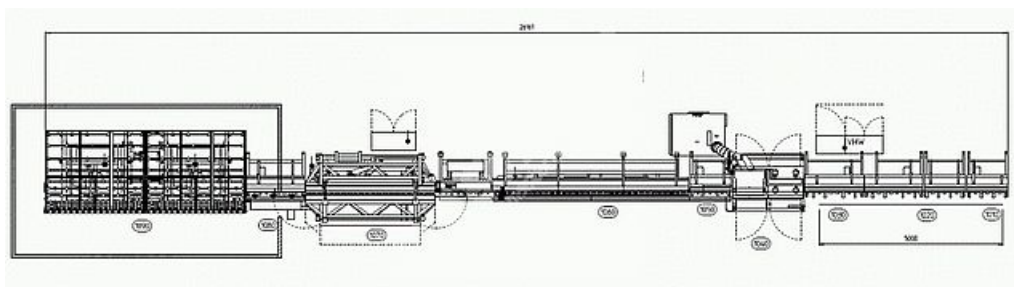


IG LINE WITHOUT GAS FILLING - IG LINE 5000X2700MM INCLUDING 4 SIDED STEPPED UNITS

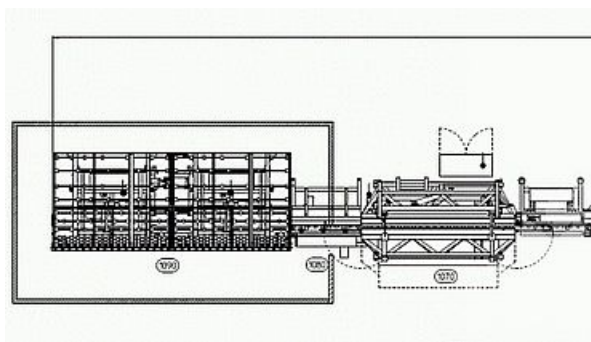


SPECIFICATIONS

EQUIPMENT & DESCRIPTION:

IG Line 5000x2700mm including 4 sided stepped units

VHW washer new, RSVN-50/27S new, FPLN-35/27 with extension (2008), baseTIILT-50/27 (2016)



CONTACT ME

You can contact me if you have questions or need more information to this machine.

Johann Stöger
Phone: +43 7477-405-5061
Mobile: +43-664- 8477900
E-mail:
preowned@lisec.com

